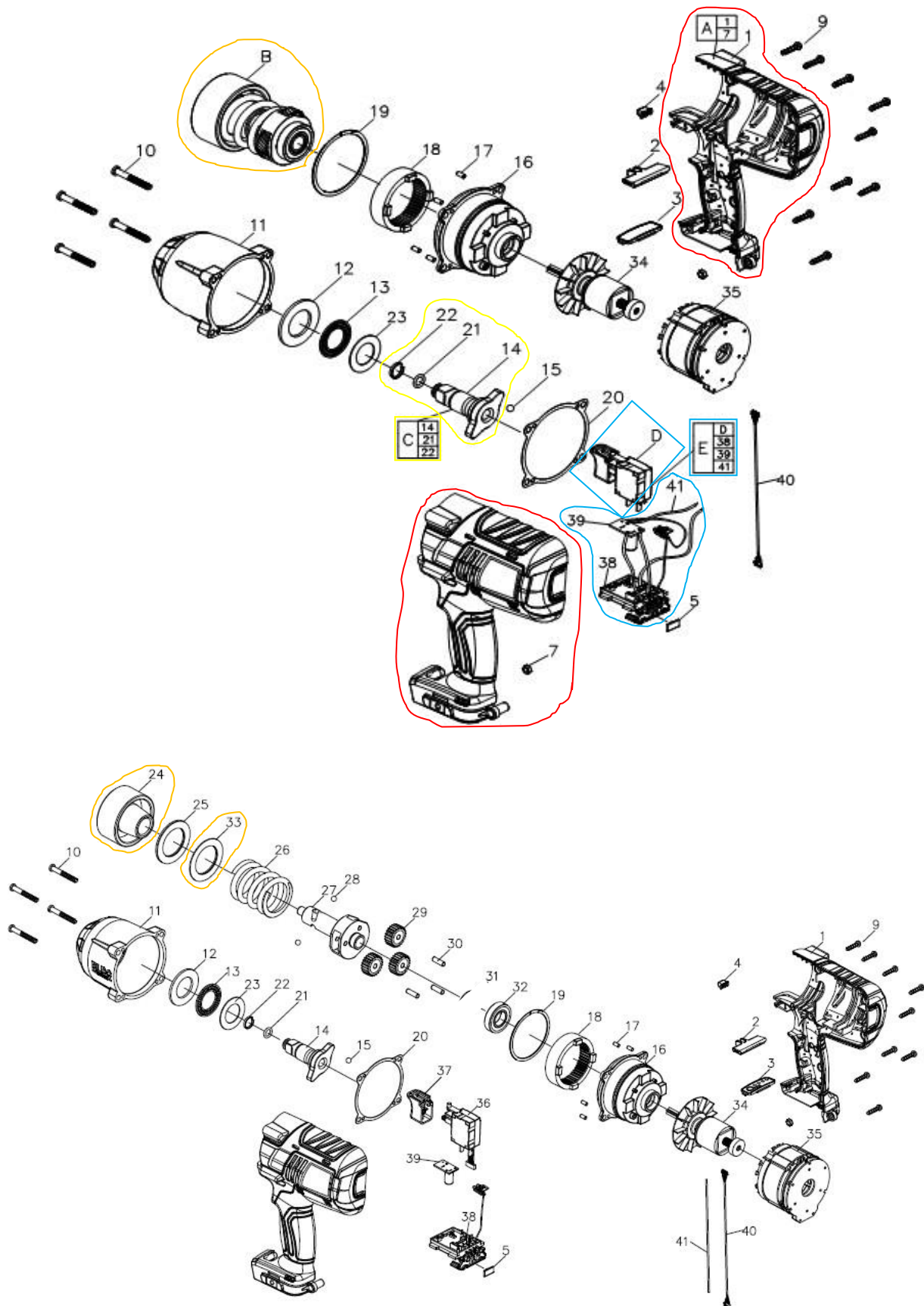


# Kraftwerk

# 18v Impact Wrench

Item 403.001.000

SPARE PARTS LISTING ..... RI2002



No.	Kraftwerk Part No.	Description	Beschreibung	Q'ty
2	493.001.002	Reversing actuator	Umkehrantrieb	1
3	493.001.003	Panel	Platte	1
4	493.001.004	LED cover	LED-Abdeckung	1
5	493.001.005	Soft Pad	Soft-Pad	1
9	493.001.009	Screw 4.2 x 17	Schraube 4,2 x 17 m	9
10	493.001.010	Screw 5.1 x 1.5	Schraube 5,1 x 1,5 mm	4
11	493.001.011	Front cover	Vordere Abdeckung	1
12	493.001.012	Isolation ring	Isolierring	1
13	493.001.013	Needle roller bearing	Nadelrollenlager	1
15	493.001.015	Steel ball	Stahlkugel	1
16	493.001.016	Motor holder	Motorhalterung	1
17	493.001.017	Position pin	Positionsstift	4
18	493.001.018	Ring gear	Zahnkranz	1
19	493.001.019	C-clip	C-Clip	1
20	493.001.020	Paper washer	Papierwaschanlage	1
23	493.001.023	Thrust washer	Druckscheibe	1
34	493.001.034	Rotor	Rotor	1
35	493.001.035	Stator	Stator	1
40	493.001.040	7P Ribbon cable	7P Flachbandkabel	1
<b>A</b>	493.001.001	Enclosure	Gehäuse	1
<b>C</b>	493.001.014	½" Anvil assembly	½" Amboss Montage	1
14	Assembly C	½" Anvil	½" Amboss	1
21		O-ring	O-Ring	1
22		C-clip	C-Clip	1
<b>B</b>	493.001.024	Impact assembly	Schlagmontage	1
24	Assembly B	Hammer	Hamme	1
25		Thrust needle roller bearing	Axial-Nadellager	1
26		Spring	Frühling	1
27		Shaft	Welle	1
28		Steel ball	Stahlkugel	2
29		Planet gear	Planetengetriebe	3
30		Planet gear pin	Planetenradstift	3
31		Bearing gasket	Lagerdichtung	1
32		Ball bearing	Kugellager	1
33		Thrust washer	Druckscheibe	1

E	493.001.036	Switch/Control assembly	Schalter-/Steuerungsanordnung		1
36	Assembly E	Switch	Schalter		1
37		Switch trigger (black)	Schalthebel (schwarz)		1
38		PCB assembly (Control+ LED)	Leiterplattenbestückung (Kontrolle + LED)		1
39		PCB assembly (Capacitor)	Leiterplattenbestückung (Kondensator)		1
41		Wire (Red)	Draht (rot)		1